

# TWIX-M TWIN

Twix-M Twin is a two legs based modification of tripod access system. Extra rigidity and additional space for ID solutions integration are the main characteristics which make this type different from one leg turnstile entry systems.



*THE MOST ELEGANT TRIPOD WITH 2 FIRM LEGS TO STAND ON*



## Key features:

- Integration with any type of access control and ID systems;
- Additional space for advertisement with LED backlight;
- Ergonomical design with stylish lines;
- Servo-driven tripod turnstile with anti-panic system /drop-arm function;
- Anti-panic function with automatic reset;
- Supply of backup battery power connection;
- Turnstile is supplied ready for installation;
- Successful combination of affordable price and high quality;
- Low power consumption;
- Whisper quiet, low noise operation;
- Can be mounted on a ramped base mobile platform (TISO Frame-M);
- Wide range of accessories;
- 4 LED indicators;
- Place for RFID readers under the top glass;
- Wired remote control is in a standard kit.

\*option



www.tiso.global  
+380 (44) 291-21-11  
e-mail: sales@tiso.global



**Technical Specifications:**

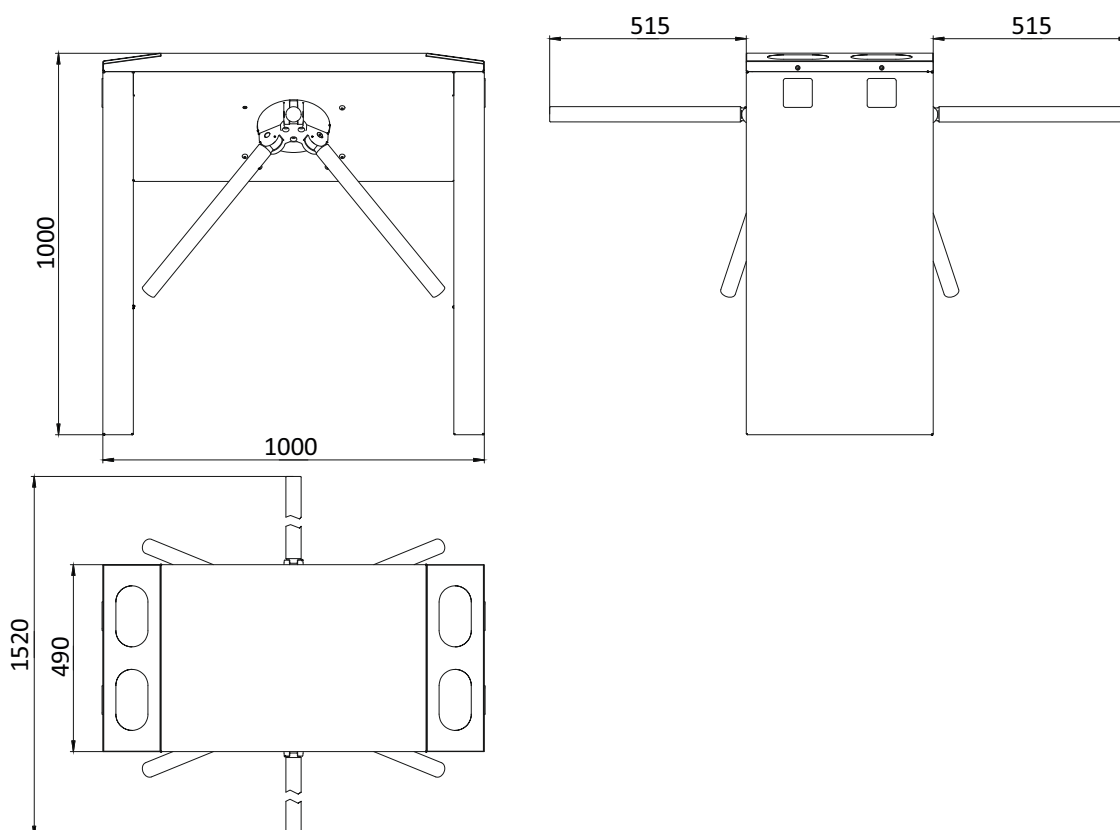
Model	Twix-M Twin
Width, mm	1520
Length, mm	1000
Height, mm	1000
Passage width, mm	600
Mechanism	Servo-driven (Triservo-M)
Blocking system	Two electromagnetic stoppers
Emergency mode (fire-alarm)	Fail-safe (lowering the leash)
Drop arm function	Drop arm function can be activated when power is on Drop arm function activates automatically when power goes off
MCBF, cycles	5 000 000

**Electrical Specifications:**

Maximum power consumption, W	55
Voltage	From the AC (100-240)V, 50/60Hz; from a DC source 12 V

**Finishing**

Standard housing	Brushed SS AISI 304
Available housing	Brushed SS AISI 316; Polished SS AISI 304; Polished SS AISI 316; Powder coated RAL



*Specifications are subject to change without prior notice.*



www.tiso.global  
+380 (44) 291-21-11  
e-mail: sales@tiso.global

